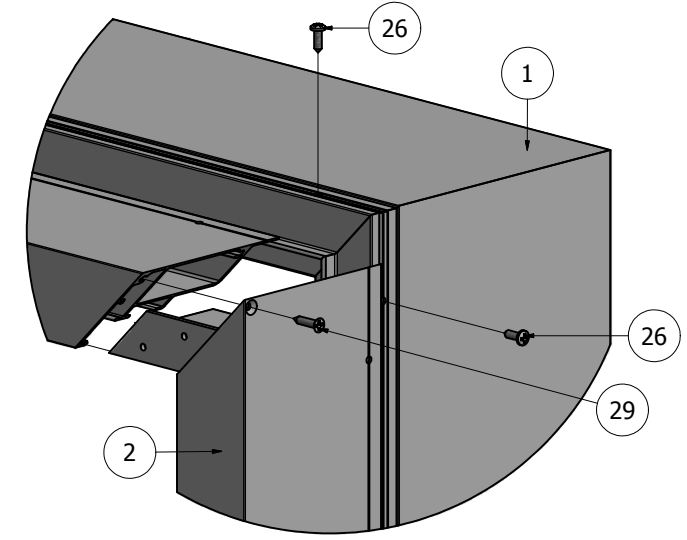
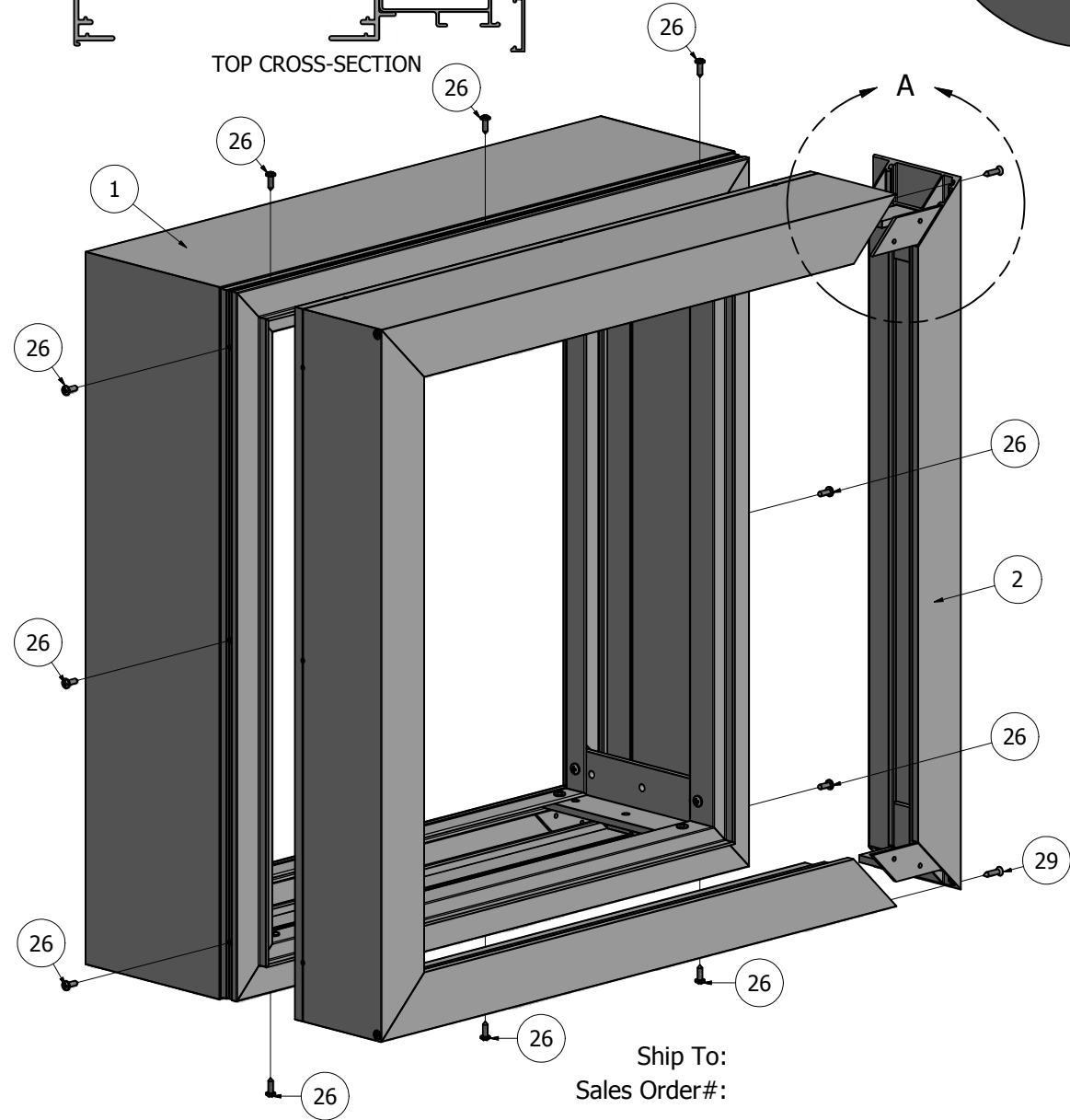
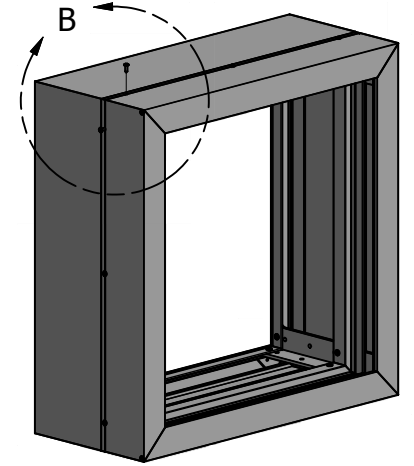
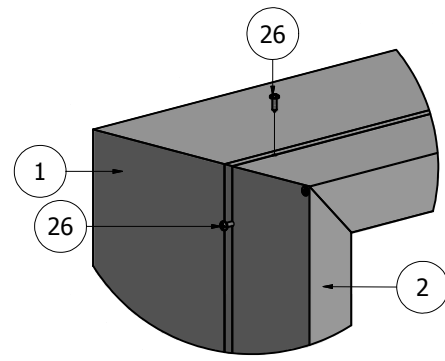
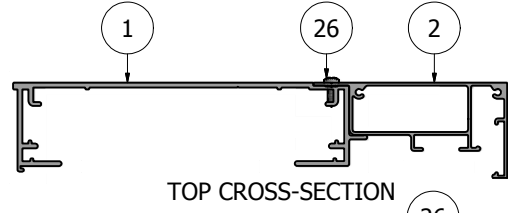


PARTS LIST			
ITEM	PART#	DESCRIPTION	NOTES
1	K1927	2Part 8in Single Face Body	Assembly
2	K1939	2Part Large Extended Retainer	Assembly
26	5290	2Part Large Extended Retainer Screw	Drill 1/8" pilot hole
29	5241	2Part Large Ext. Retainer Corner Screw	Drill #8 countersink



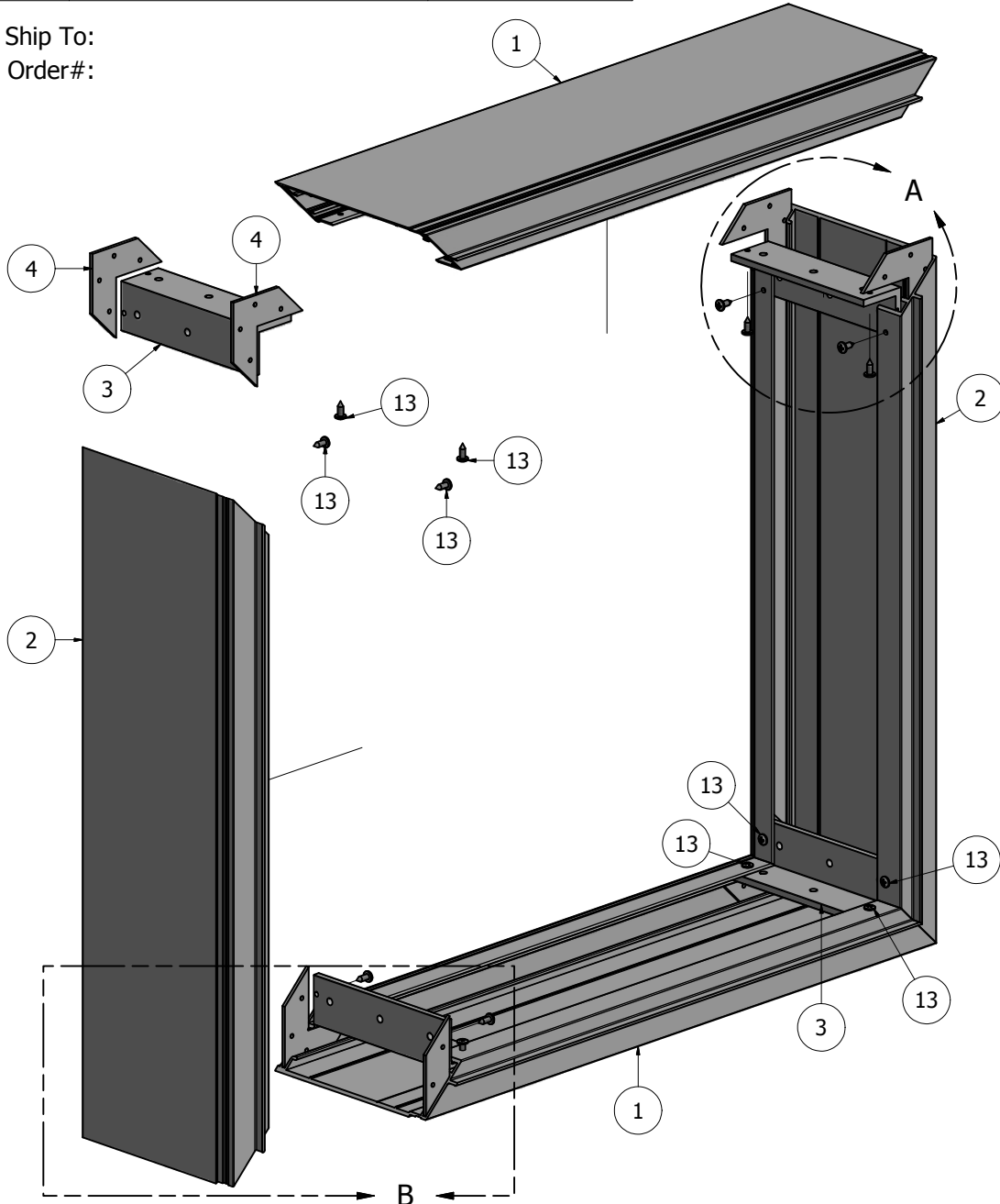
NOTE: PRE-CUT KITS ARE NOT PRE-DRILLED.
 (Holes shown in this drawing are for reference only.
 Drilling of pilot holes are to be done by fabricator.)

THIS DRAWING WAS CREATED AT NO CHARGE TO ASSIST YOU IN VISUALIZING OUR PROPOSAL. THE DRAWING HEREIN IS THE PROPERTY OF SIGNCOMP. PERMISSION TO COPY OR REVISE THIS DRAWING OR TO USE THIS DRAWING FOR PRODUCTION IS STRICTLY PROHIBITED AND CAN ONLY BE COPIED, REVISED OR USED FOR PRODUCTION WITH THE EXPRESSED WRITTEN PERMISSION OF SIGNCOMP.		
DRAWN	SBreihof	7/25/2012
Centroid X:	0.000 in	
Centroid Y:	0.000 in	
Principal Moments Ix:	0.000 in ⁴	
Principal Moments Iy:	0.000 in ⁴	
Section Modulus Ix:	0.000 in ³	
Section Modulus Iy:	0.000 in ³	
<h1 style="text-align: center;">SignComp</h1>		TITLE
		<h2 style="text-align: center;">2Part 8in Single Face Body w/ 2Part Large Extended Retainer - Assembly</h2>
DWG NO		REV
K1927/39		
SHEET 1 OF 1		

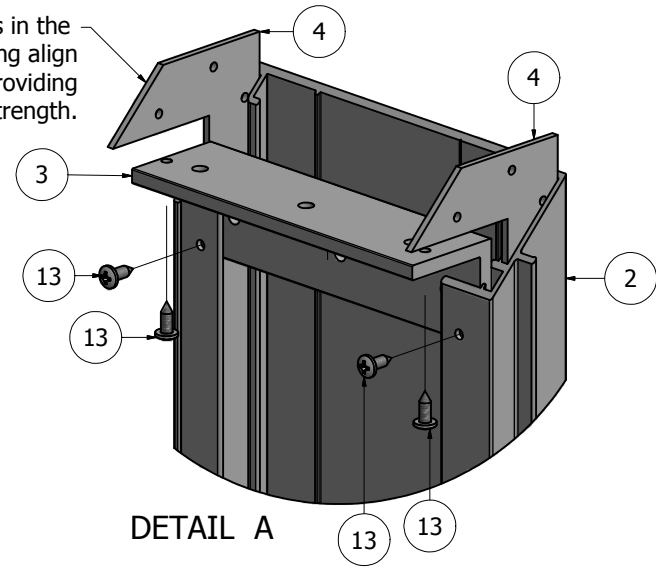
Ship To:
Sales Order#:

PARTS LIST			
ITEM	PART#	DESCRIPTION	NOTES
1	1927	2Part 8in Single Face Body	Top & Bottom
2	1927	2Part 8in Single Face Body	Sides
3	5979	1Part 2Part 8in Body Corner Angle	
4	5210	Corner Key	
13	5218	Corner Angle Screw	Drill 5/32" pilot hole

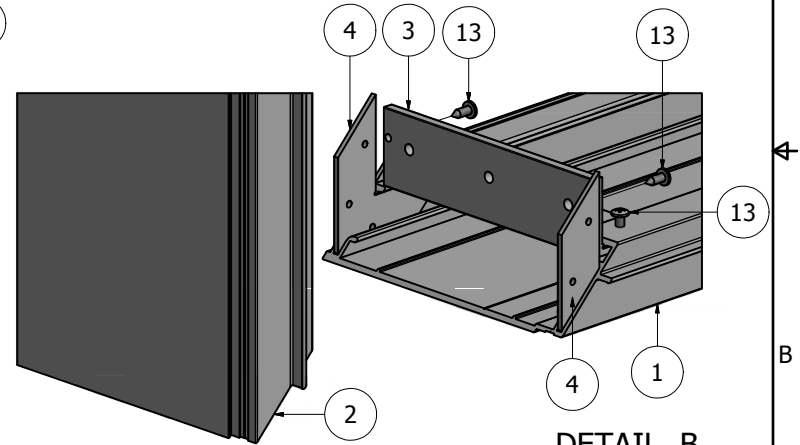
Ship To:
Sales Order#:



Corner Key floats in the extrusion helping align the mitres while providing additional strength.



DETAIL A



DETAIL B

NOTE: PRE-CUT KITS ARE NOT PRE-DRILLED.
(Holes shown in this drawing are for reference only. Drilling of pilot holes are to be done by fabricator.)

THIS DRAWING WAS CREATED AT NO CHARGE TO ASSIST YOU IN VISUALIZING OUR PROPOSAL. THE DRAWING HEREIN IS THE PROPERTY OF SIGNCOMP. PERMISSION TO COPY OR REVISE THIS DRAWING OR TO USE THIS DRAWING FOR PRODUCTION IS STRICTLY PROHIBITED AND CAN ONLY BE COPIED, REVISED OR USED FOR PRODUCTION WITH THE EXPRESSED WRITTEN PERMISSION OF SIGNCOMP.

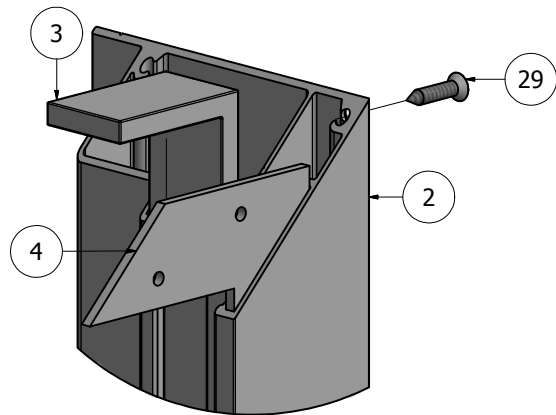
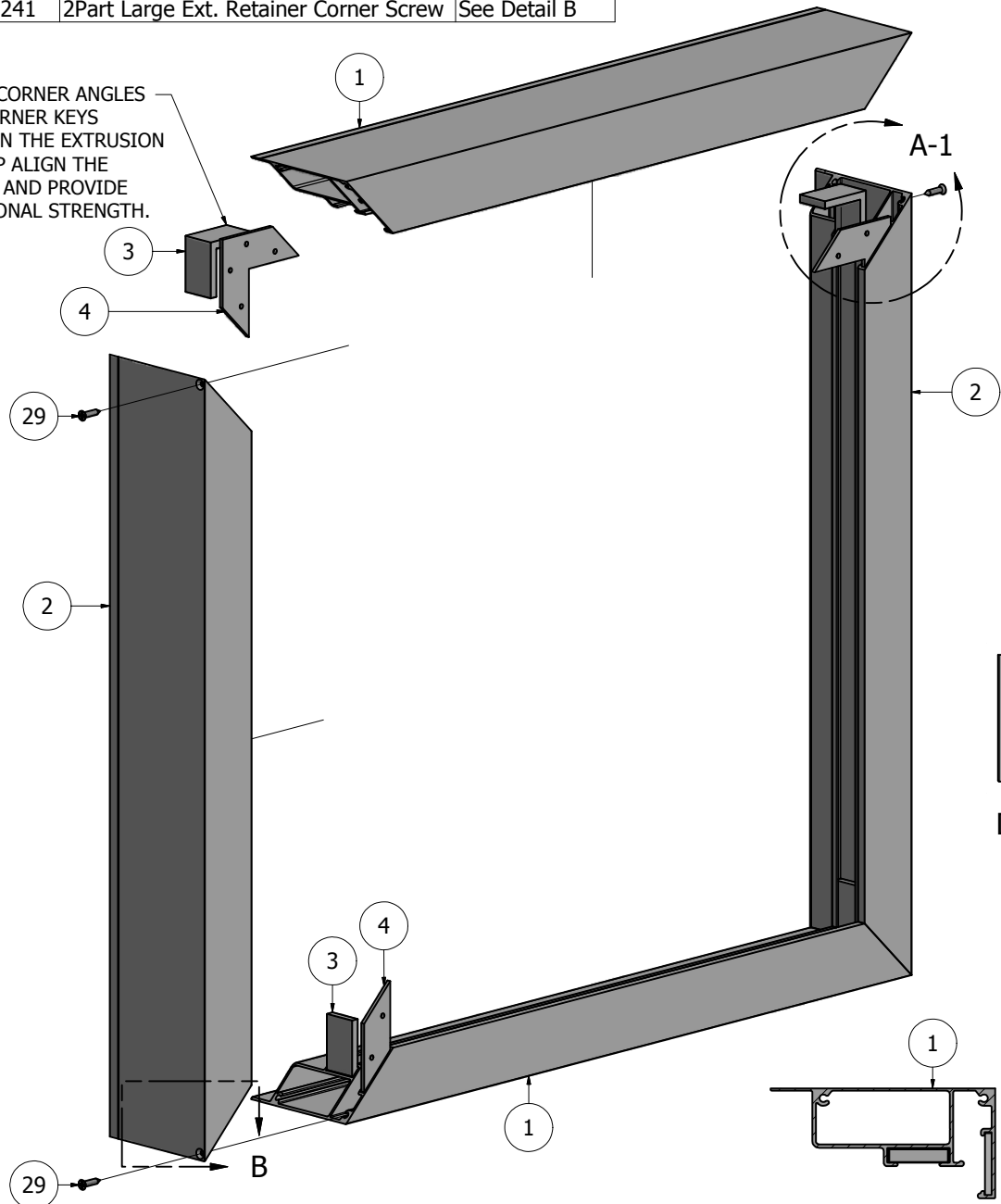
DRAWN	SBreihof	6/7/2012	<h1>SignComp</h1>
Centroid X:	0.000 in		
Centroid Y:	0.000 in		
Principal Moments Ix:	0.000 in ⁴		<h2>2Part 8in Single Face Body - Assembly</h2>
Principal Moments Iy:	0.000 in ⁴		
Section Modulus Ix:	0.000 in ³		DWG NO
Section Modulus Iy:	0.000 in ³		K1927
			REV

PARTS LIST			
ITEM	PART#	DESCRIPTION	NOTES
1	1939	2Part Large Extended Retainer	Top & Bottom Sides
2	1939	2Part Large Extended Retainer	Sides
3	5305	Frame Corner Angle	
4	5210	Corner Key	
29	5241	2Part Large Ext. Retainer Corner Screw	See Detail B

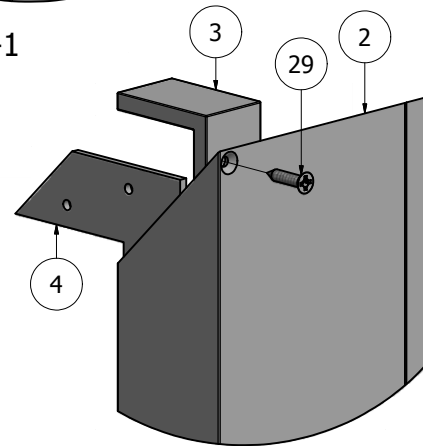
Ship To:
Sales Order#:

D
C
B
A

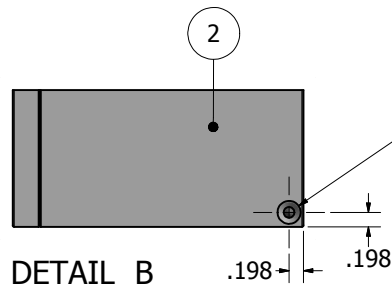
FRAME CORNER ANGLES AND CORNER KEYS FLOAT IN THE EXTRUSION TO HELP ALIGN THE MITRES AND PROVIDE ADDITIONAL STRENGTH.



DETAIL A-1



DETAIL A-2



DETAIL B

NOTE: PRE-CUT KITS ARE NOT PRE-DRILLED.
(Holes shown in this drawing are for reference only. Drilling of pilot holes are to be done by fabricator.)

THIS DRAWING WAS CREATED AT NO CHARGE TO ASSIST YOU IN VISUALIZING OUR PROPOSAL. THE DRAWING HEREIN IS THE PROPERTY OF SIGNCOMP. PERMISSION TO COPY OR REVISE THIS DRAWING OR TO USE THIS DRAWING FOR PRODUCTION IS STRICTLY PROHIBITED AND CAN ONLY BE COPIED, REVISED OR USED FOR PRODUCTION WITH THE EXPRESSED WRITTEN PERMISSION OF SIGNCOMP.

DRAWN	SBreihof	7/24/2012	SignComp
Centroid X:	0.000 in	TITLE	
Centroid Y:	0.000 in	2Part Large Extended Retainer	
Principal Moments Ix:	0.000 in ⁴	DWG NO	REV
Principal Moments Iy:	0.000 in ⁴	K1939	
Section Modulus Ix:	0.000 in ³	SHEET 1 OF 1	
Section Modulus Iy:	0.000 in ³		

4

3

2

1

4

3

2

1